

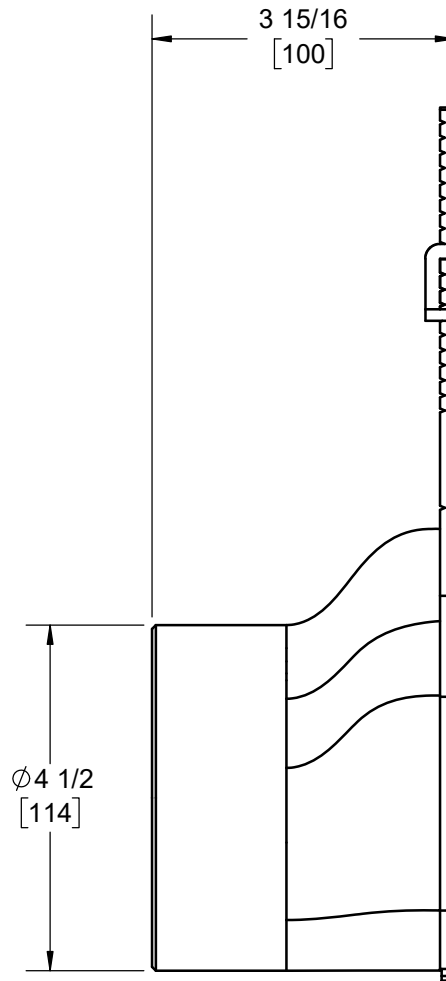
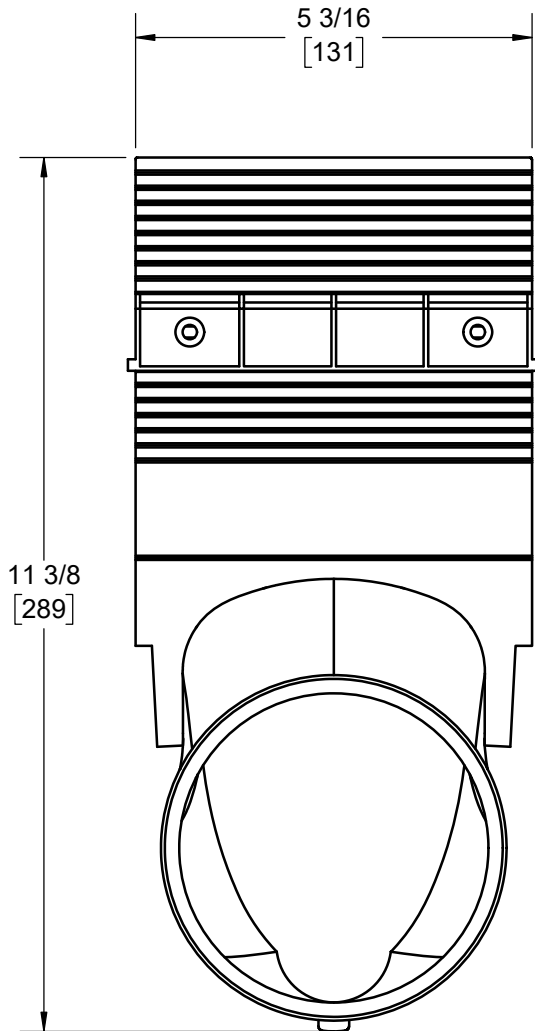
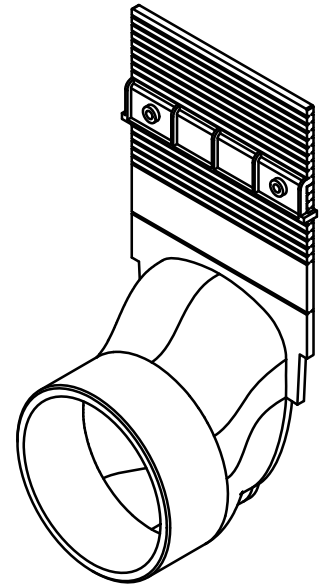
SPECIFICATION:

JOSAM 100-OE4XL20 END OUTLET FOR 100 SIZE 4" INTERNAL WIDTH TRENCH CHANNELS 100C11-100C20. (CHANNELS 100C, 100C01-100C10 ARE TO USE 100-OE4). MADE WITH PVC MATERIAL AND DESIGNED TO SECURELY FIT INTO FEMALE END OF CHANNEL AND 100-BSW BRACKET. CONNECTS TO STANDARD 4" PVC FITTINGS. RATED TO 140°F

PRO-PLUS
END OUTLET 4" 100C

SERIES **100-OE4XL20**

	-HT	HIGH TEMPERATURE CPVC MATERIAL RATED TO 212° F
	-SS	304 STAINLESS STEEL EDGE



WARNING: Cancer and Reproductive Harm - www.P65Warnings.ca.gov

DATE OF LAST CHANGE: 05/17/21

DIMENSIONS ARE SUBJECT TO MANUFACTURERS TOLERANCES AND CHANGE WITHOUT NOTICE. WE CAN ASSUME NO RESPONSIBILITY FOR USE OF SUPERSEDED OR VOID DATA.

JOSAM
MICHIGAN CITY, INDIANA

NOTES