

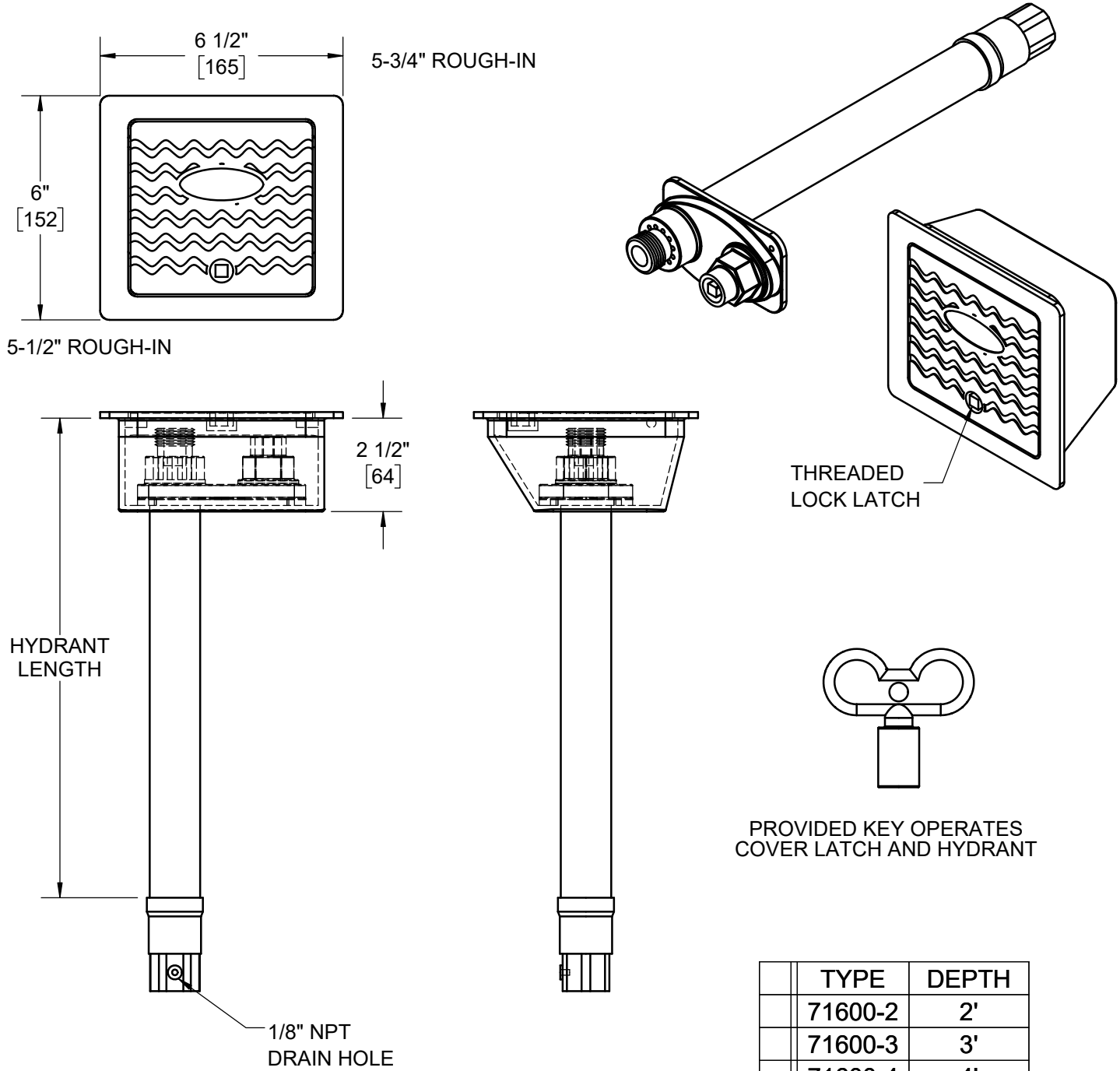
SPECIFICATION:

JOSAM 71600 SERIES NON-FREEZE YARD HYDRANT, HEAVY-DUTY GALVANIZED PIPING, SATIN NICKEL FINISH CAST BOX, HINGED COVER, INTEGRAL 3/4" (STD.) OR 1" (-91) HPT OUTLET, AND 3/4" FEMALE NPT INLET CONNECTION.

HYDRANTS
YARD TYPE, NON-FREEZE WITH BOX

SERIES **71600**

ASSE 1052 APPROVED DOUBLE BACKFLOW PREVENTER AND VACUUM BREAKER



-52	BRASS BOX
-91	1" HOSE PIPE THREADED OUTLET
-97	1/8" TAPPED DRAIN HOLE IN BOX

TYPE	DEPTH
71600-2	2'
71600-3	3'
71600-4	4'
71600-5	5'

IN PARTNERSHIP WITH PRIER HYDRANTS

WARNING: Cancer and Reproductive Harm - www.P65Warnings.ca.gov

DATE OF LAST CHANGE: 04/16/24 BT

DIMENSIONS ARE SUBJECT TO MANUFACTURERS TOLERANCES AND CHANGE WITHOUT NOTICE. WE CAN ASSUME NO RESPONSIBILITY FOR USE OF SUPERSEDED OR VOID DATA.

JOSAM
MICHIGAN CITY, INDIANA

NOTES