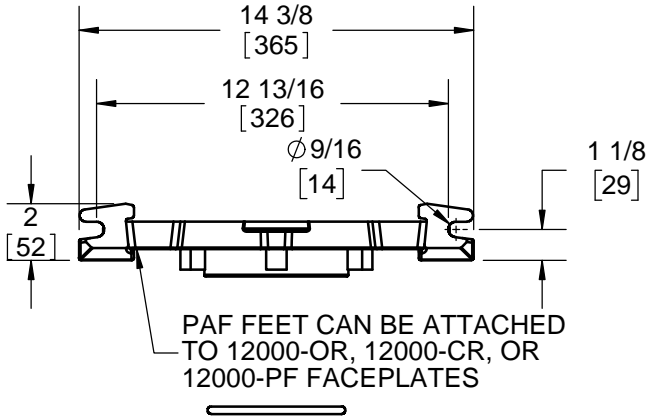


SPECIFICATION:

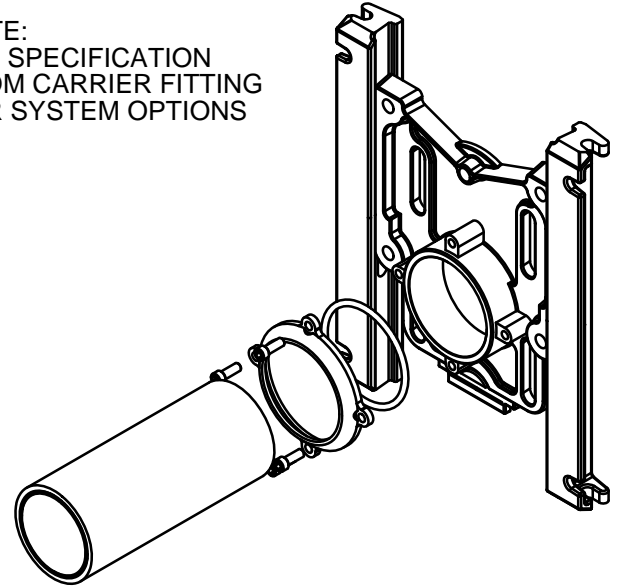
JOSAM 12000-PAF SERIES COATED CAST IRON ADJUSTABLE CARRIER BODY, INVERTIBLE FOR SIPHON JET OR BLOWOUT CLOSETS, WITH TWO PAF FEET CAPABLE OF ATTACHING TO ANGLE IRON OR UNISTRUT FOR PRE-FAB CONSTRUCTION

PREFAB ADJUSTABLE FOOT CARRIER ASSEMBLY

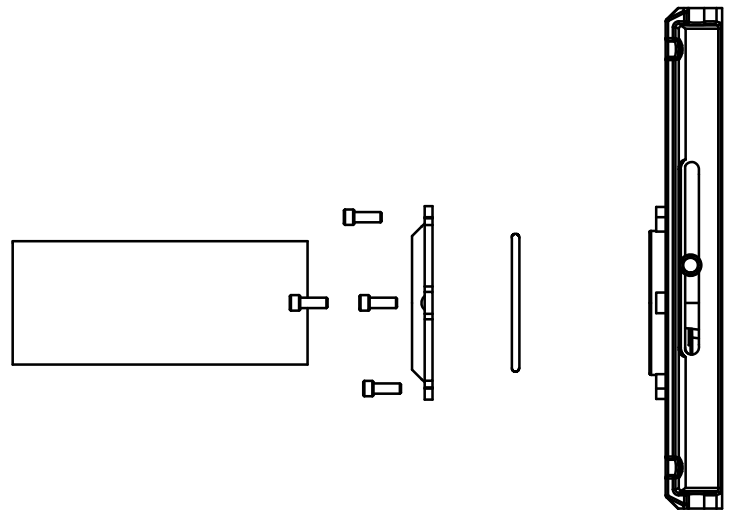
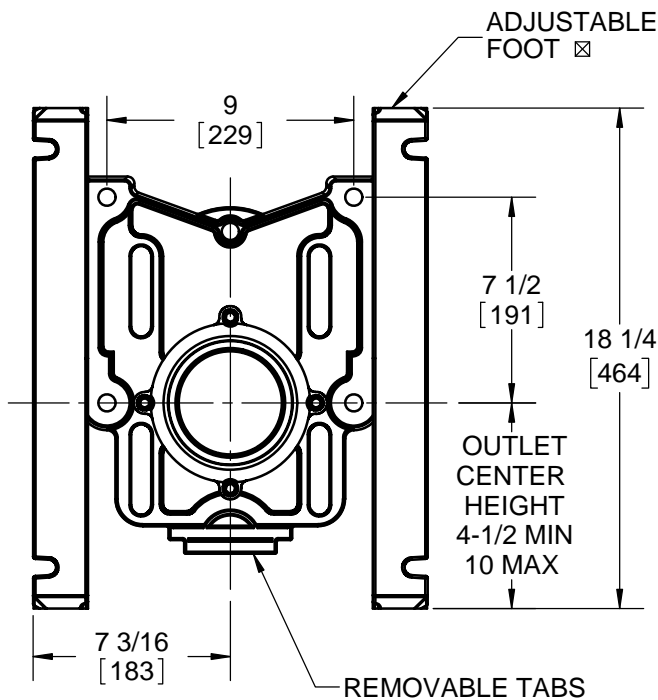
SERIES **12000-PAF**



NOTE:
SEE SPECIFICATION FROM CARRIER FITTING FOR SYSTEM OPTIONS



☒ RECOMMEND FEET BE SECURED TO FLOOR WITH 1/2" BOLTS AND ANCHORS (BY OTHERS).



WARNING: Cancer and Reproductive Harm - www.P65Warnings.ca.gov

DATE OF LAST CHANGE: 5/25/18

DIMENSIONS ARE SUBJECT TO MANUFACTURERS TOLERANCES AND CHANGE WITHOUT NOTICE. WE CAN ASSUME NO RESPONSIBILITY FOR USE OF SUPERSEDED OR VOID DATA.

JOSAM
MICHIGAN CITY, INDIANA

NOTES