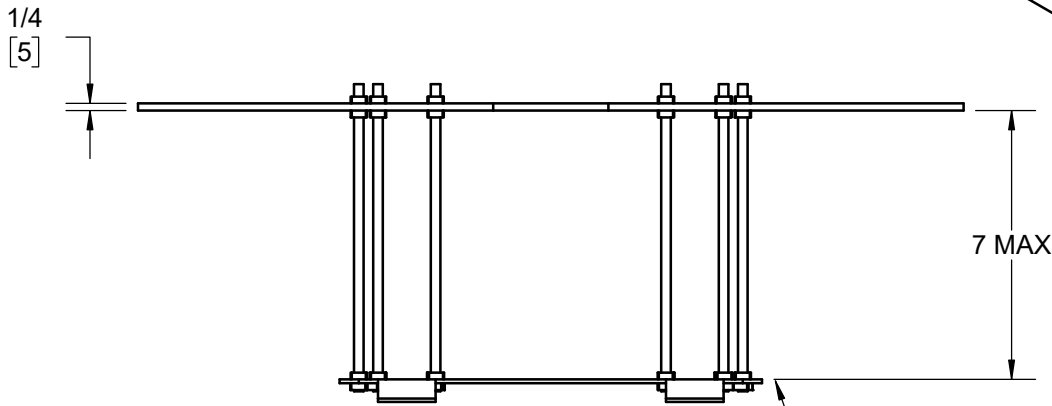
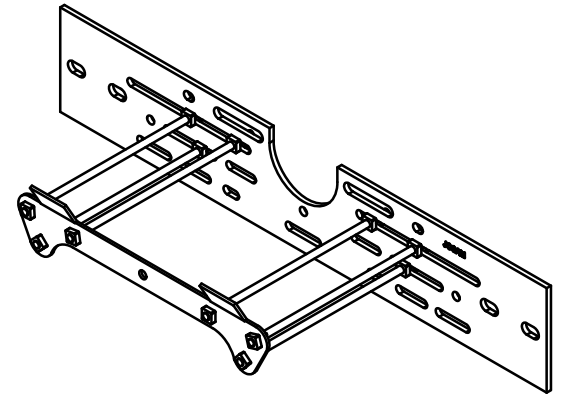


**SPECIFICATION:**

JOSAM 17590 SERIES WALL-MOUNTED, SINGLE LAVATORY CARRIER WITH HANGER PLATE AND ADJUSTABLE SUPPORTING RODS.

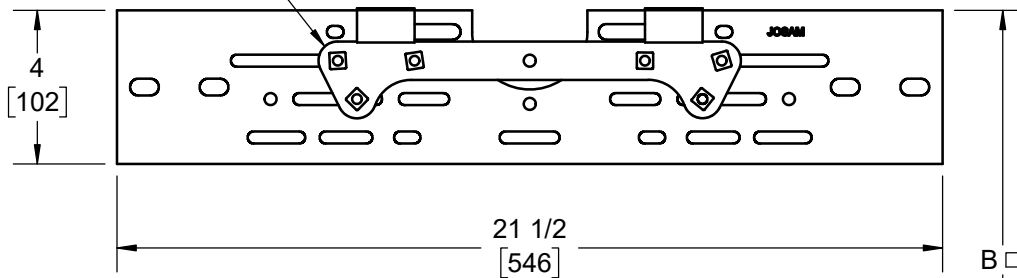
**LAVATORY CARRIER  
WALL-MOUNT HANGER PLATE**

SERIES **17590**



FINISHED WALL

HANGER(S) FURNISHED WITH FIXTURE



□ VARIABLE - DEPENDS ON FIXTURE EXCEPT WHEN STANDARD PLATE IS FURNISHED C = 18-1/4"

FINISHED FLOOR

MANUFACTURER

NUMBER

SIZE

NAME

DIMENSIONS

B \_\_\_\_\_

RIM HEIGHT BASED ON "B" DIM SHOWN

-DP	DOUBLE PLATE CARRIER△
-UR	URINAL CARRIER△
-10	STUDS FOR WALLS OVER 7" (SPECIFY WALL THICKNESS)

△ SEPARATE SUBMITTAL FOR THIS OPTION AVAILABLE

WARNING: Cancer and Reproductive Harm - www.P65Warnings.ca.gov

DATE OF LAST CHANGE: 05/31/18

DIMENSIONS ARE SUBJECT TO MANUFACTURERS TOLERANCES AND CHANGE WITHOUT NOTICE. WE CAN ASSUME NO RESPONSIBILITY FOR USE OF SUPERSEDED OR VOID DATA.

**JOSAM**

MICHIGAN CITY, INDIANA

NOTES