

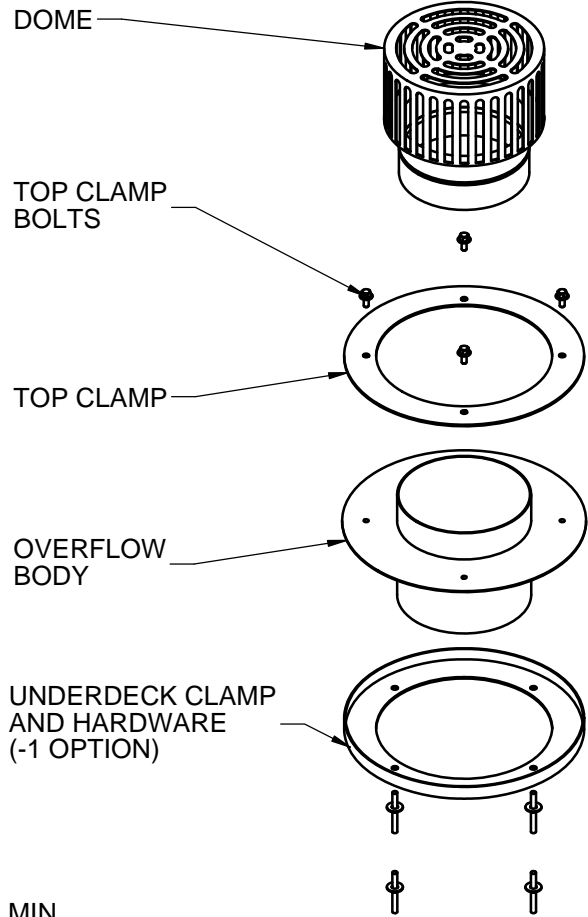
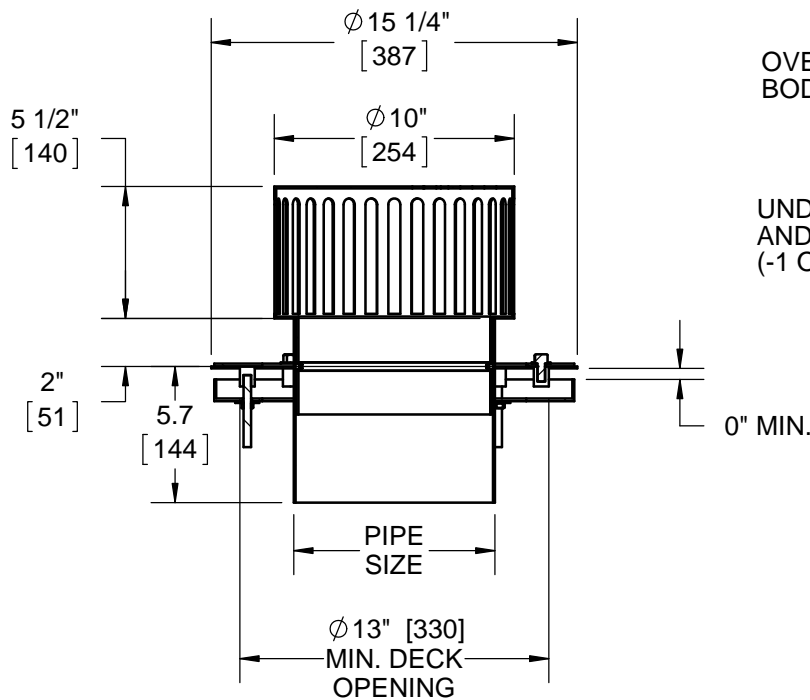
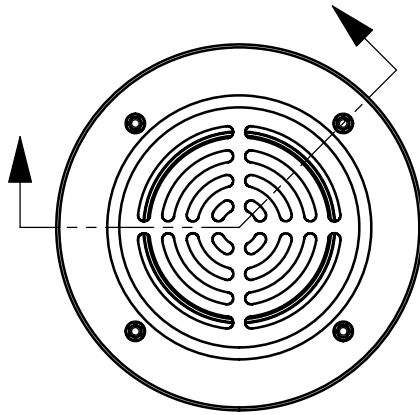
**SPECIFICATION:**

JOSAM SERIES 21500-16-SS STAINLESS STEEL (TYPE 304)  
OVERFLOW ROOF DRAIN WITH NO-HUB BOTTOM OUTLET.

**ROOF DRAIN  
STAINLESS STEEL,  
OVERFLOW**

SERIES **21500-16-SS**

DOME FREE AREA: 103 SQ. IN.  
DOME SLOT WIDTH: 1/2"



**OPTIONS:**

PIPE SIZE
2"
3"
4"
6"
8"

-1	UNDERDECK CLAMP
-2	DRAIN RECEIVER
-VP	SECURED DOME
-BW	BUTT-WELD OUTLET (SPEC. 5S, 10S, 40S)
-PF	OUTLET FOR JOSAM PUSH-FIT SYSTEM
-316	TYPE 316L MATERIAL

DATE OF LAST CHANGE: 12/10/13

DIMENSIONS ARE SUBJECT TO MANUFACTURERS TOLERANCES AND CHANGE WITHOUT NOTICE. WE CAN ASSUME NO RESPONSIBILITY FOR USE OF SUPERSEDED OR VOID DATA.

**JOSAM COMPANY**  
MICHIGAN CITY, INDIANA

NOTES