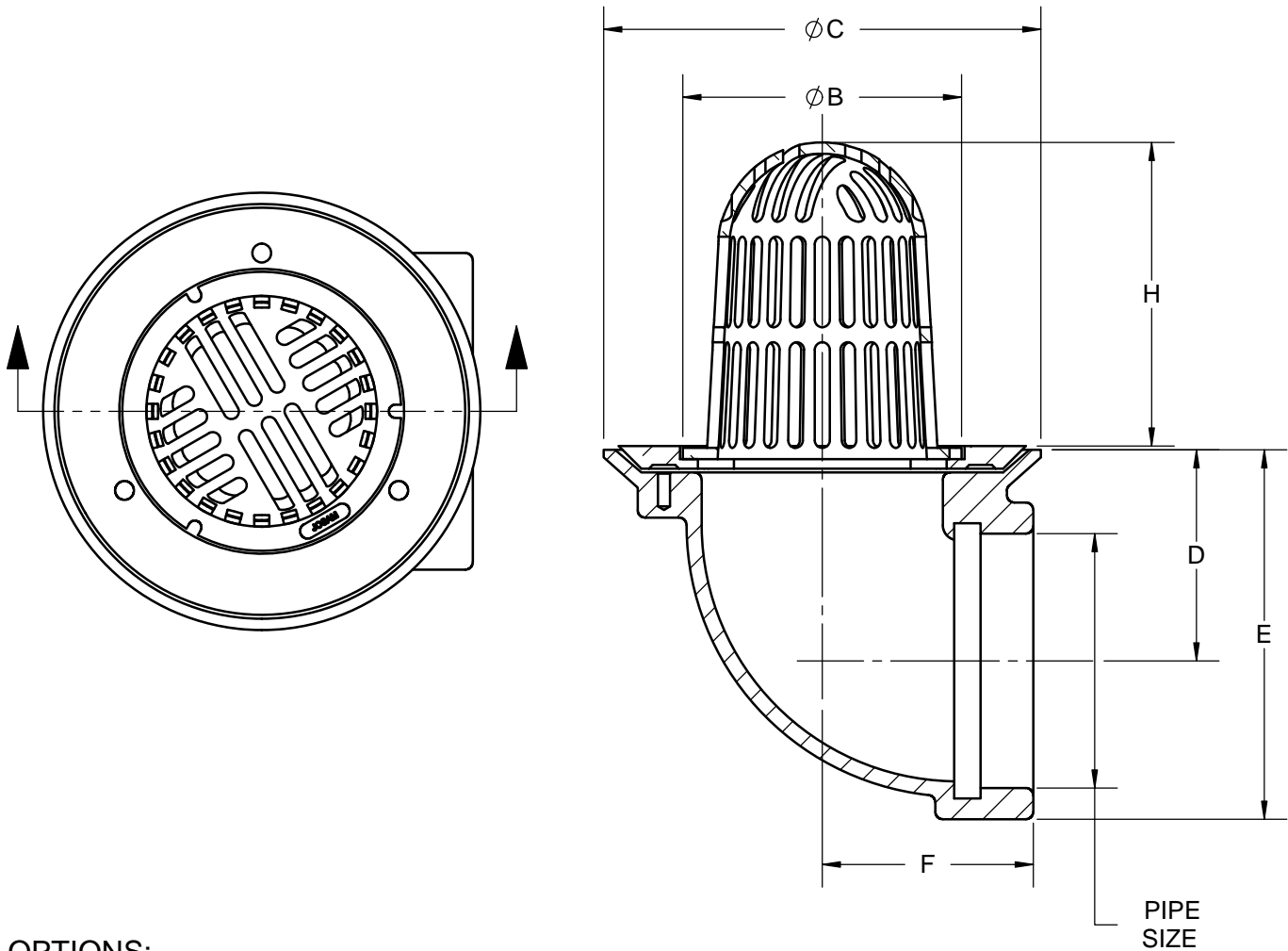


SPECIFICATION:

JOSAM 24500-90-27 SERIES COATED CAST IRON SILL DRAIN, SECURED HIGH BRONZE DOME, BRONZE CLAMP RING AND SHALLOW SUMP WITH FLASHING FLANGE AND 90° SIDE THREADED CONNECTION.

ROOF DRAIN
SILL TYPE 90°
WITH HIGH DOME

SERIES **24500-90-27**



OPTIONS:

-20	GALV CAST IRON PARTS
-24	ROUGH NIKALOY DOME
-VP	VANDAL-PROOF DOME
-33	SS MESH COVERED DOME
-35	FLAT GRATE (3/16" SLOTS)
-50	SATIN FINISH NIKALOY TOP
-51	SATIN FINISH BRONZE TOP

PIPE SIZE	B	C	D	E	F	H	FREE AREA
2"	3-3/4	6	2-1/2	4	2-3/4	4-1/2	24
3"	4-3/4	7-1/4	3	5	3-1/2	5	24
4"	4-3/4	7-1/4	3-1/2	6	3-1/2	5	24

WARNING: Cancer and Reproductive Harm - www.P65Warnings.ca.gov

DATE OF LAST CHANGE: 6/28/18

DIMENSIONS ARE SUBJECT TO MANUFACTURERS TOLERANCES AND CHANGE WITHOUT NOTICE. WE CAN ASSUME NO RESPONSIBILITY FOR USE OF SUPERSEDED OR VOID DATA.



MICHIGAN CITY, INDIANA

NOTES