

SPECIFICATION:

JOSAM 32106 SERIES COATED CAST IRON FLOOR DRAIN, TWO PIECE BODY WITH DOUBLE DRAINAGE FLANGE, WEEPHOLES, 6" BOTTOM OUTLET, ROUND TOP, MEDIUM DUTY LOOSE-SET ANTI-TILTING SUPER - FLO GRATE WITH PERIMETER DRAINAGE SLOTS.

FLOOR DRAIN
9" ROUND TOP, SUPER-FLO®

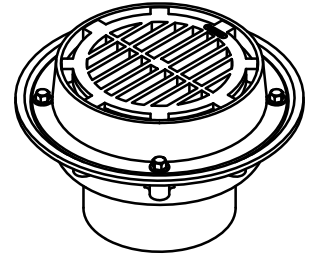
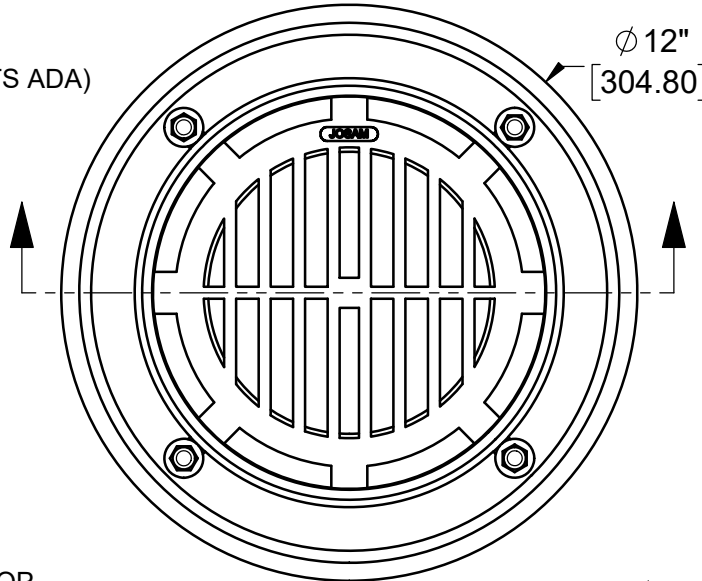
SERIES

32106

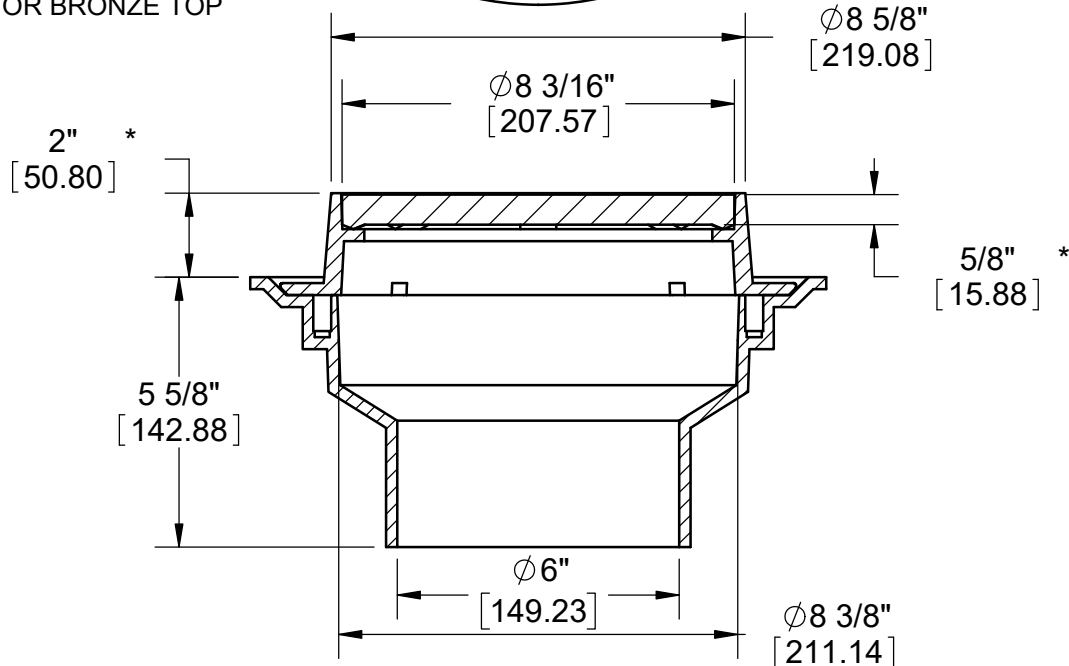
GRATE FREE AREA: 27 IN²

STD. CI SLOT WIDTH: 3/8" (MEETS ADA)

(-1 AND -2 SLOT WIDTH: 3/16")
(MEETS ADA AND HEEL PROOF)



*ADD 1/4" WHEN FURNISHED WITH NIKALOY OR BRONZE TOP (-1 OR -2)



-Z	NO-HUB	-14-1	HINGED GRATE, NIKALOY
		-15	CHAINED GRATE
		-39	SOLID CAST IRON COVER
-HP	HEEL-PROOF GRATE, CI, 5/16" SLOT WIDTH, 25 SQ IN FREE AREA	-44	FIXED EXT. COLLAR, CAST IRON (SPECIFY HT.), 2" STD.
-1	SATIN FINISH NIKALOY TOP	-44-92	FIXED EXT. COLLAR, GALV. (SPECIFY HT.), 2" STD.
-2	SATIN FINISH BRONZE TOP	-49	3/4" PRIMER TAP
-7	DUCTILE IRON GRATE	-50	1/2" PRIMER TAP
-11	EXTRA HEAVY-DUTY GRATE, CAST IRON	-81	SLOTTED CAST IRON BUCKET
-13	DOME GRATE, CAST IRON	-84	STAINLESS STEEL MESH BUCKET LINER
-13-1	DOME GRATE, NIKALOY	-92	GALVANIZED CAST IRON PARTS
-13-2	DOME GRATE, BRONZE	-ARE	ACID-RESISTING EPOXY

DATE OF LAST CHANGE: 07/23/18

DIMENSIONS ARE SUBJECT TO MANUFACTURERS TOLERANCES AND CHANGE WITHOUT NOTICE. WE CAN ASSUME NO RESPONSIBILITY FOR USE OF SUPERSEDED OR VOID DATA.



MICHIGAN CITY, INDIANA

NOTES

WARNING: Cancer and Reproductive Harm - www.P65Warnings.ca.gov